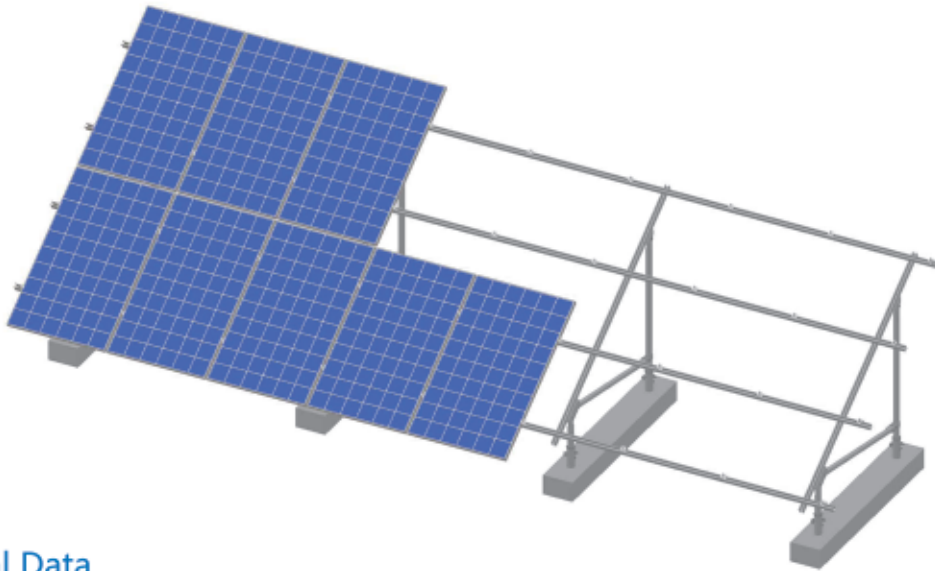


# Tube Connection Cuboid Concrete Foundation Solar Mounting System

Series Name : CF-II



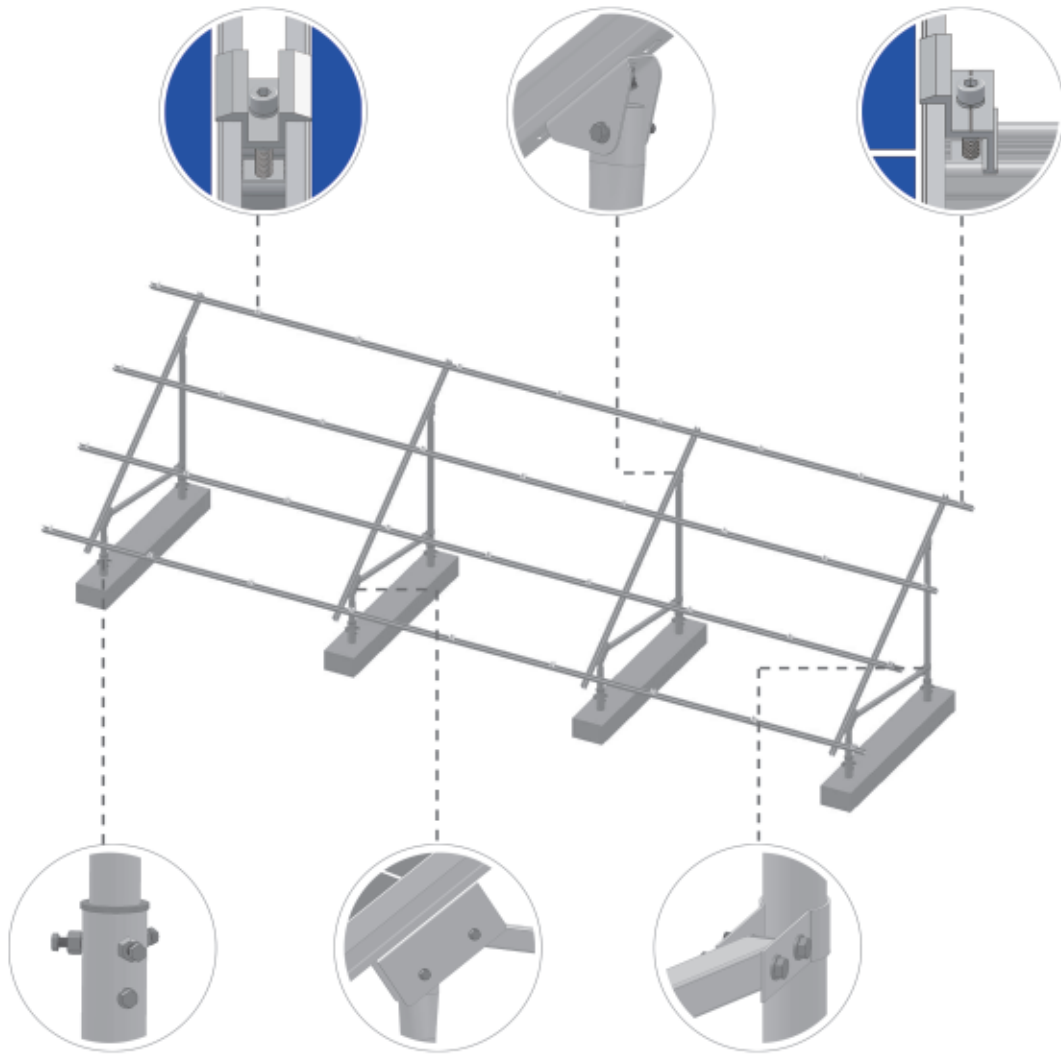
## Technical Data

- Solar system: PV plant, PV park, open area ground PV system
- System type: ground concrete foundation
- Material Option: hot-dip galvanized steel, Aluminum ,Stainless Steel
- Max snow load: 1.0 kn/㎡
- Max wind load: 38 m/s
- Mounting angle: customized design; fixed
- Module: framed crystalline module, unframed thin film module
- Module connection: middle & end clamp
- Average thickness of zinc layer: up to 80 um or customized

## Features

- Easy & quick installation
- High robust, stable & durable
- Cementing base at the site making sure even structure array
- Fit to the country where concrete cost is low
- Fit to different soil condition, like soft grassland, rock & stony soil, gobi, desert, macadam
- Fit to hurricane wind, heavy snow area
- Maximum module array vertically & horizontally
- 10 years durability warranty
- 25 years anti corrosion warranty





WM-01	WM-03	WM-02	WM-06	WM-14	WM-15
Connector	Connector	Connector	Beam Connector	Vertical Rail	Beam
Q235B hot dip galvanized steel					

WM-11	WM-19	WM-26	WM-05	WM-07	WM-08
Round Pillar	Support Rail	Rubber Ring	Connector	Hoop	Hoop
Q235B hot dip galvanized steel					